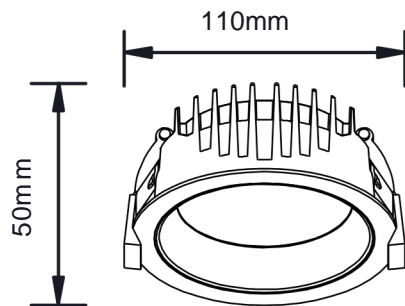




DIMENSION

Unit: mm



Code:	LIFE-MICRO-10W-CCT
LED Watt	10W
LED Chip:	SMD 3030
Luminous Flux:	1300lm
CCT:	3000K+4000K+5700K
CRI:	>80
Beam Angle:	55°
Power Factor:	0.90
Cut Size:	95mm
Material:	Aluminum
Diffuser:	PMMA - NANO
IP Grade:	IP20
Operation temperature:	-20~+40
Voltage:	AC100-277V
Lifespan:	50,000HRS