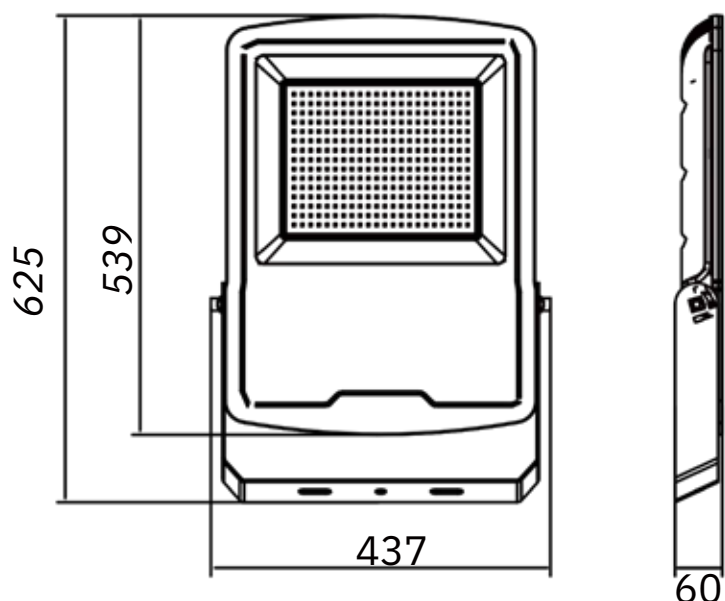




DIMENSION

Unit: mm



| | |
|----------------|--------------------------|
| Code: | ROCK-2-400W-CW |
| LED Watt | 400W |
| LED Chip: | SAMSUNG |
| Luminous Flux: | 48253 |
| CCT | 6000K |
| Beam Angle: | 80° X 145° |
| Power Factor: | >0.9 |
| Material: | Aluminum + Optical Glass |
| IP Grade: | IP65 |
| Voltage: | AC100-240V |
| Housing Color: | Black |

PHOTOMETRIC DIAGRAM

