



Radar  
Sensor

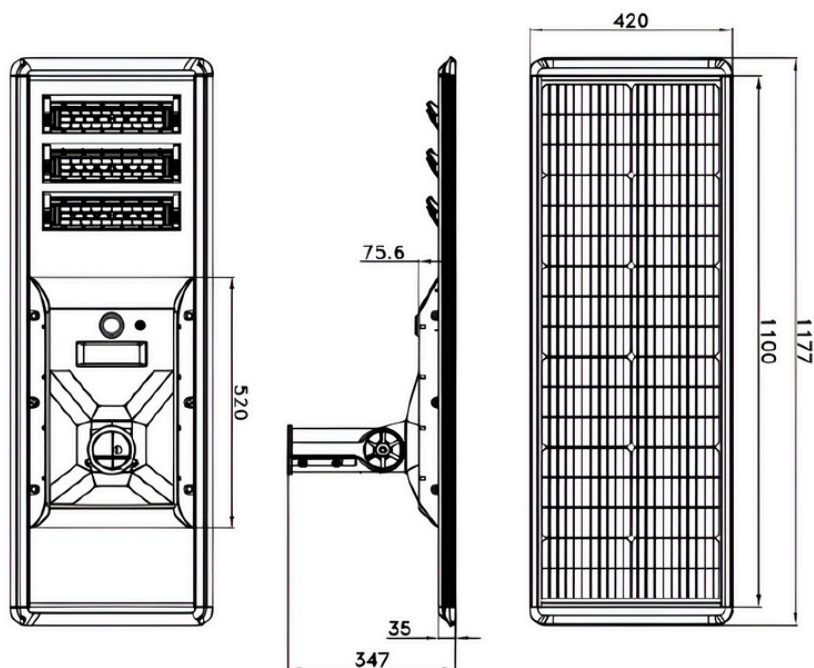
MPPT  
TEC.

PHILIPS  
CHIP



## DIMENSION

Unit: mm



Code: **SSL05-80W-PRO**

LED Watt 80W

Luminous Flux: 13600

CRI: 75

CCT 3000K / 6000K

Beam Angle: 90°

Solar Panel Watt 103W/18V

Battery LiFePO4

614WH/ 12.8V

Charging Time: 5 Hours

Working Time: 12 Hours

Working Mode: Light + Time Control

Remote Control: Yes

IP Grade: IP65

Weight: 18.50 KG

