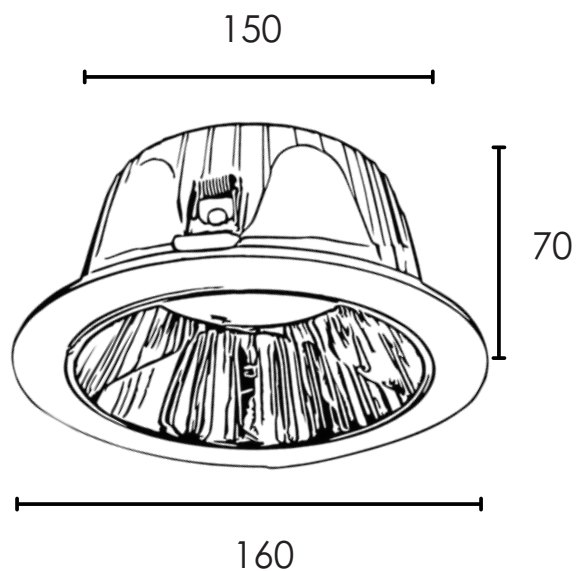


# Product Data Sheet



## DIMENSION

Unit: mm



Code:	<b>LIFE-PRO-20W</b>
LED Watt	20W
LED Chip:	COB
Luminous Flux:	2000lm
CCT:	3000K+4000K+6500K
CRI:	>80
Beam Angle:	60°
Power Factor:	0.9
Material:	Aluminum
IP Grade:	IP20
Operation temperature:	-20~+45°C
Protection:	Class 1
Voltage:	AC85-265V
Cut Size:	150mm
Lifespan:	50,000HRS