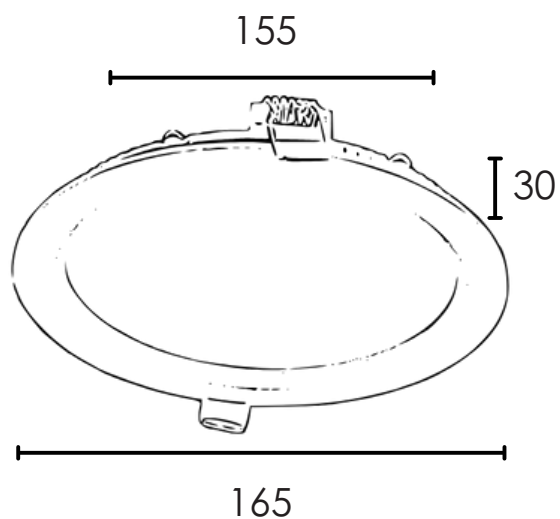


Product Data Sheet



DIMENSION

Unit: mm



Code:	LIFE-HT-12W
LED Watt	12W
LED Chip:	SMD 2835 / 120 PCS
Luminous Flux:	1200lm
CCT:	3000K+4000K+6500K
CRI:	>80
Beam Angle:	120°
Material:	Aluminum
IP Grade:	IP20
Operation temperature:	-20~+45°C
Protection:	Class 1
Voltage:	AC85-265V
Cut Size:	155mm
Lifespan:	50,000HRS