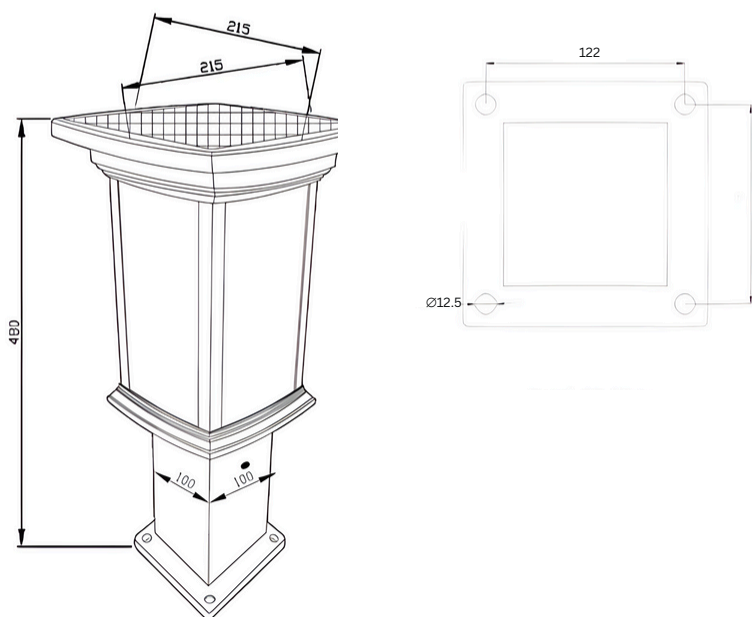


# Product Data Sheet



## DIMENSION

Unit: mm



Code:	<b>GA-SOLAR-480</b>
LED Watt	3W, DC 6V
Luminous Flux:	360lm
CCT	3000K
Beam Angle:	120°
Solar Panel Watt	9V/4.5W
Battery	LiFePO4
	6.4V, 6AH
Material:	Aluminum, tempered glass
Charging Time:	7 Hours
Working Time:	23 Hours
Working Mode:	ON / OFF
	Automatic wake up function
IP Grade:	IP65
Weight:	3.4 KG