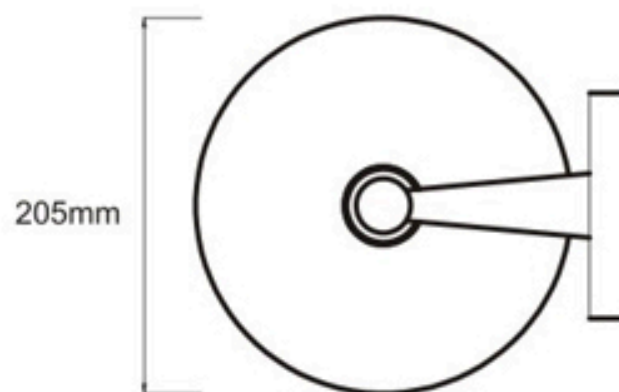
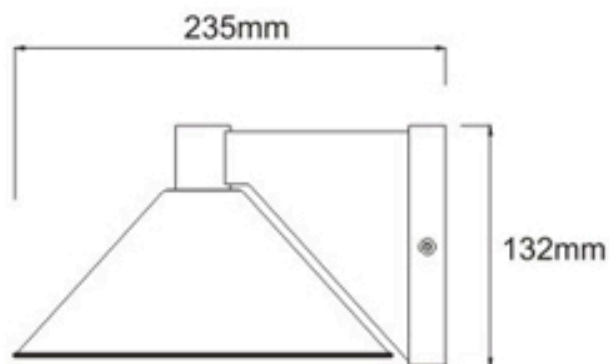




DIMENSION

Unit: mm



Code:	UMB-8W-BK
LED Watt:	8W
LED Chip:	SAMSUNG
Luminous Flux:	405
CRI:	>80
CCT:	3000K
Power Factor:	>0.9
Material:	Aluminum
Body Color:	Black
IP Grade:	IP44
Voltage:	200-240V