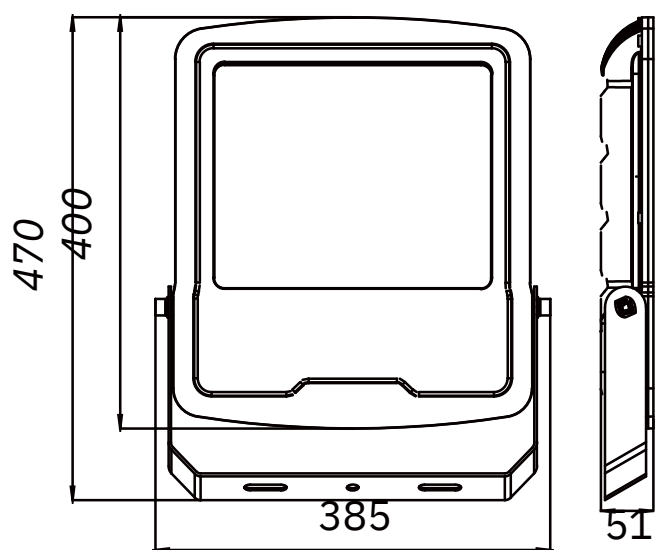




DIMENSION

Unit: mm



Code:	ROCK-2-200W-WW / 4K / CW
LED Watt	200W
LED Chip:	SAMSUNG
Luminous Flux:	26238
CCT	3000K / 4000K / 6000K
Beam Angle:	80° X 145°
Power Factor:	>0.9
Material:	Aluminum + Optical Glass
IP Grade:	IP65
Voltage:	AC100-240V
Housing Color:	Black

PHOTOMETRIC DIAGRAM

