

Product Data Sheet



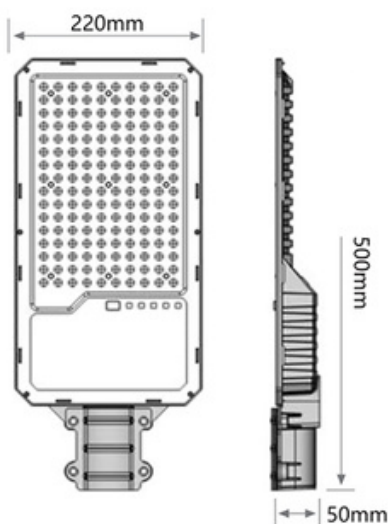
Radar
Sensor

MPPT
TEC.



DIMENSION

Unit: mm



Code: **SSL01-100W-WW / CW**

LED Watt 100W

Luminous Flux: 1600

CRI: 75

CCT 3000K / 6000K

Beam Angle: 90°

Solar Panel Watt 15W/6V

Battery LiFePO4

10000mAH / 3.2V

Charging Time: 4-8 Hours

Working Time: 12 Hours

Working Mode: 2 Years

Remote Control: Light + Time Control

IP Grade: IP67