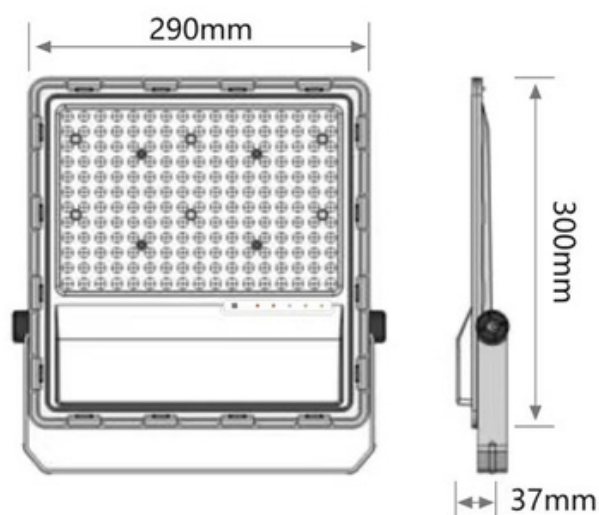




DIMENSION

Unit: mm



Code:	SF02-200W-WW /CW
LED Watt	200W
Luminous Flux:	1680
CRI:	75
CCT	3000K / 6000K
Beam Angle:	90°
Solar Panel Watt	25W/6V
Battery	LiFePO4
	20000mAh / 3.2V
Charging Time:	4-8 Hours
Working Time:	12 Hours
Working Mode:	2 Years
Remote Control:	Light + Time Control
Cable Length:	3m / 2x0.5 mm
IP Grade:	IP67
Solar Panel Size:	W350 x H530 x D15mm

AL Housing	2835 SMD	160 LM/W	A-Class Polycrystalline silicon	2000 Times	4-8hrs Charging	3M Cable	IP67	IK07
---------------	-------------	-------------	------------------------------------	---------------	--------------------	-------------	------	------