



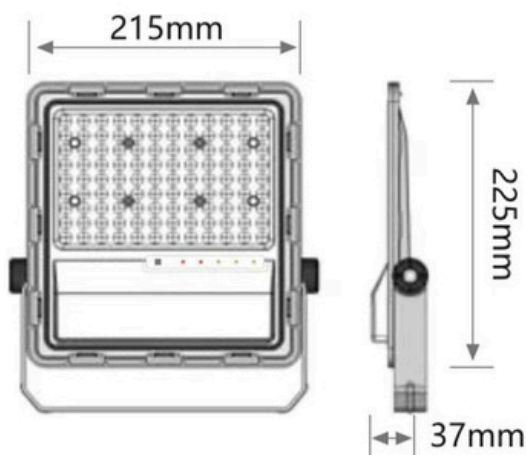
Radar
Sensor

MPPT
TEC.



DIMENSION

Unit: mm



Code:	SF02-100W-WW /CW
LED Watt	100W
Luminous Flux:	1240
CRI:	75
CCT	3000K / 6000K
Beam Angle:	90°
Solar Panel Watt	15W/6V
Battery	LiFePO4
	10000mAh / 3.2V
Charging Time:	4-8 Hours
Working Time:	12 Hours
Working Mode:	Light + Time Control
Remote Control:	Yes
Cable Length:	3m / 2x0.5 mm
IP Grade:	IP67
Solar Panel Size:	W350 x H350 x D15mm

AL Housing 2835 SMD 160 LM/W A-Class Polycrystalline silicon 2000 Times 4-8hrs Charging 3M Cable IP67 IK07