

Product Data Sheet



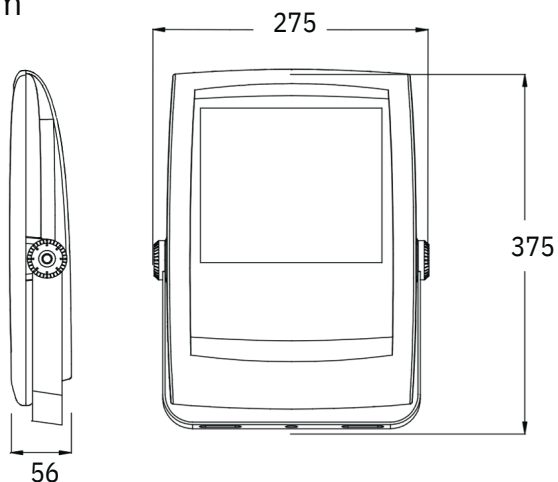
Radar
Sensor

MPPT
TEC.



DIMENSION

Unit: mm



Code:	SF-RGB-CCT-2480LM
LED Watt	200W
Luminous Flux:	2480
CRI:	75
CCT	RGB + 3000K-6000K
Beam Angle:	90°
Solar Panel Watt	35W/10V
Battery	LiFePO4
	115WH/ 6.4V
Charging Time:	4-8 Hours
Working Time:	12 Hours
Working Mode:	2 Years
Remote Control:	Light + Time Control
Cable Length:	4.5m / 2x0.5 mm
IP Grade:	IP67
Solar Panel Size:	W660 x H350 x D30mm