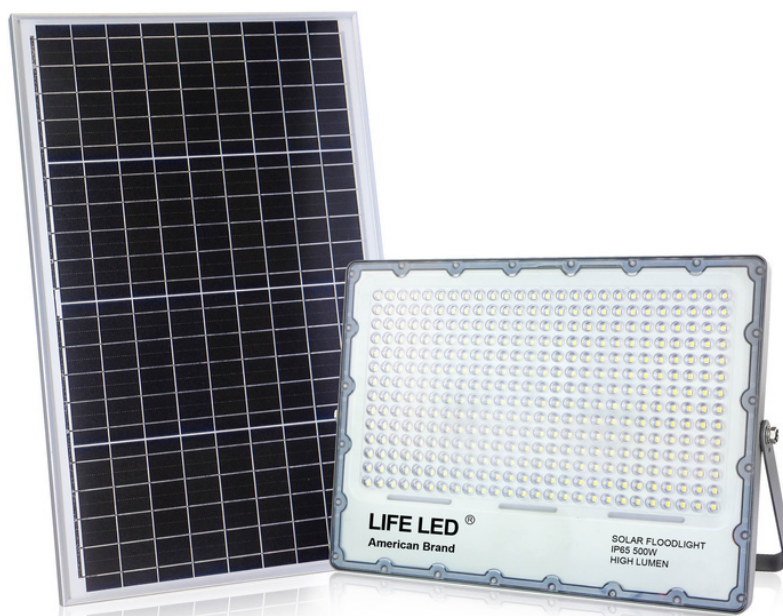
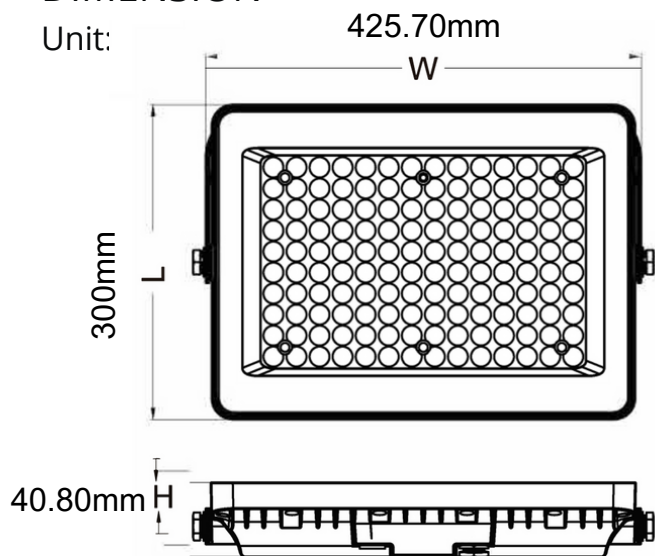


**MPPT
TEC.**



DIMENSION

Unit:



Code:	LIFE-SOLAR-500W-WW
LED Watt	500W
Luminous Flux:	4800
CRI:	75
CCT	3000K / 6000K
Beam Angle:	90°
Solar Panel Watt	60W/5V
Battery	LiFePO4
	60000mAh / 3.2V
Charging Time:	5-8 Hours
Working Time:	12 Hours
Working Mode:	2 Years
Remote Control:	Light + Time Control
Cable Length:	2m / 2x0.5 mm
IP Grade:	IP67
Solar Panel Size:	W670 x H640 x D30mm

AL Housing 2835 SMD A-Class Polycrystalline silicon 2000 Times 5-8hrs Charging 5 3M Cable IP67 IK07