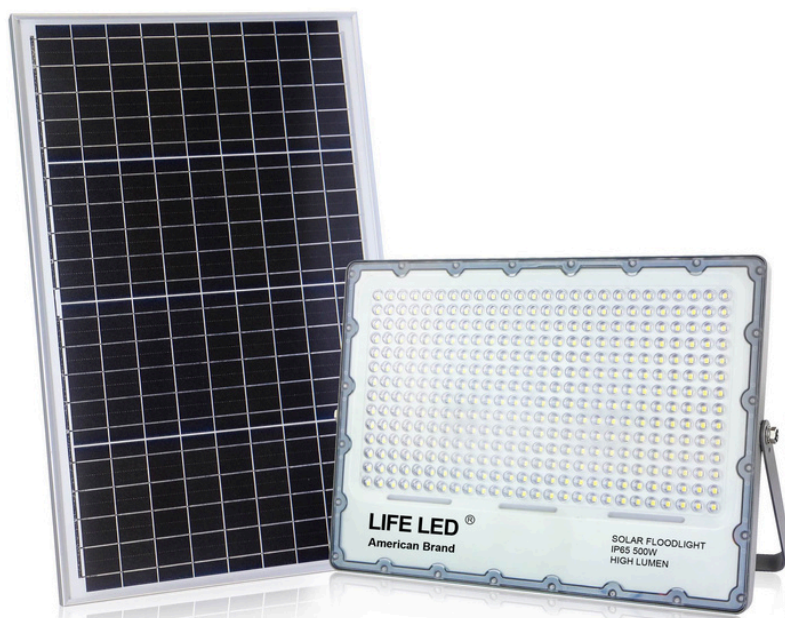
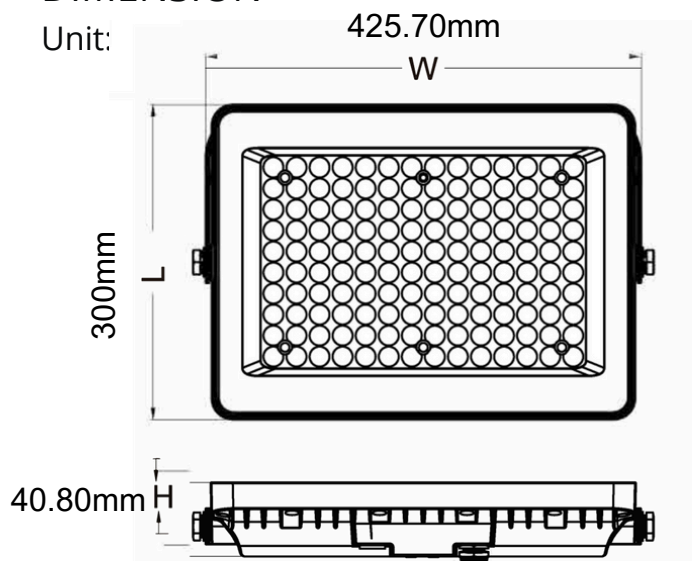


**MPPT
TEC.**



DIMENSION

Unit:



| | |
|-------------------|---------------------------|
| Code: | LIFE-SOLAR-500W-WW |
| LED Watt | 500W |
| Luminous Flux: | 4800 |
| CRI: | 75 |
| CCT | 3000K / 6000K |
| Beam Angle: | 90° |
| Solar Panel Watt | 60W/5V |
| Battery | LiFePO4 |
| | 60000mAh / 3.2V |
| Charging Time: | 5-8 Hours |
| Working Time: | 12 Hours |
| Working Mode: | Light + Time Control |
| Remote Control: | Yes |
| Cable Length: | 2m / 2x0.5 mm |
| IP Grade: | IP67 |
| Solar Panel Size: | W670 x H640 x D30mm |

AL Housing 2835 SMD A-Class Polycrystalline silicon 2000 Times 5-8hrs Charging 5 3M Cable IP67 IK07