



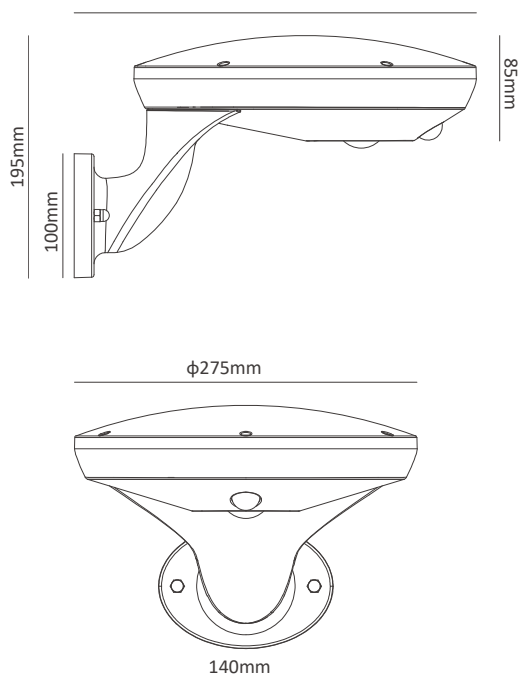
Radar  
Sensor

MPPT  
TEC.



## DIMENSION

Unit: mm



Code:	<b>ELITE-SL-WALL</b>
Luminous Flux:	280
CRI:	>82
CCT	3000K
Beam angle:	120°
Solar Panel Watt	6.2W/5V
Battery	LiFePO4
	38.4WH 3.2V
Light Head Diameter	275mm
Fixture Material	Aluminum + PC
Charge & Discharge time	4.5 hours & >36 hours
Control method:	Automatic dusk to dawn
Working mode:	4H 100% + 13H 25%
	with 100% when sensor is triggered
Detection distance:	8 meters max
Detection angle:	120 degree
IP Grade:	IP65 + IK10